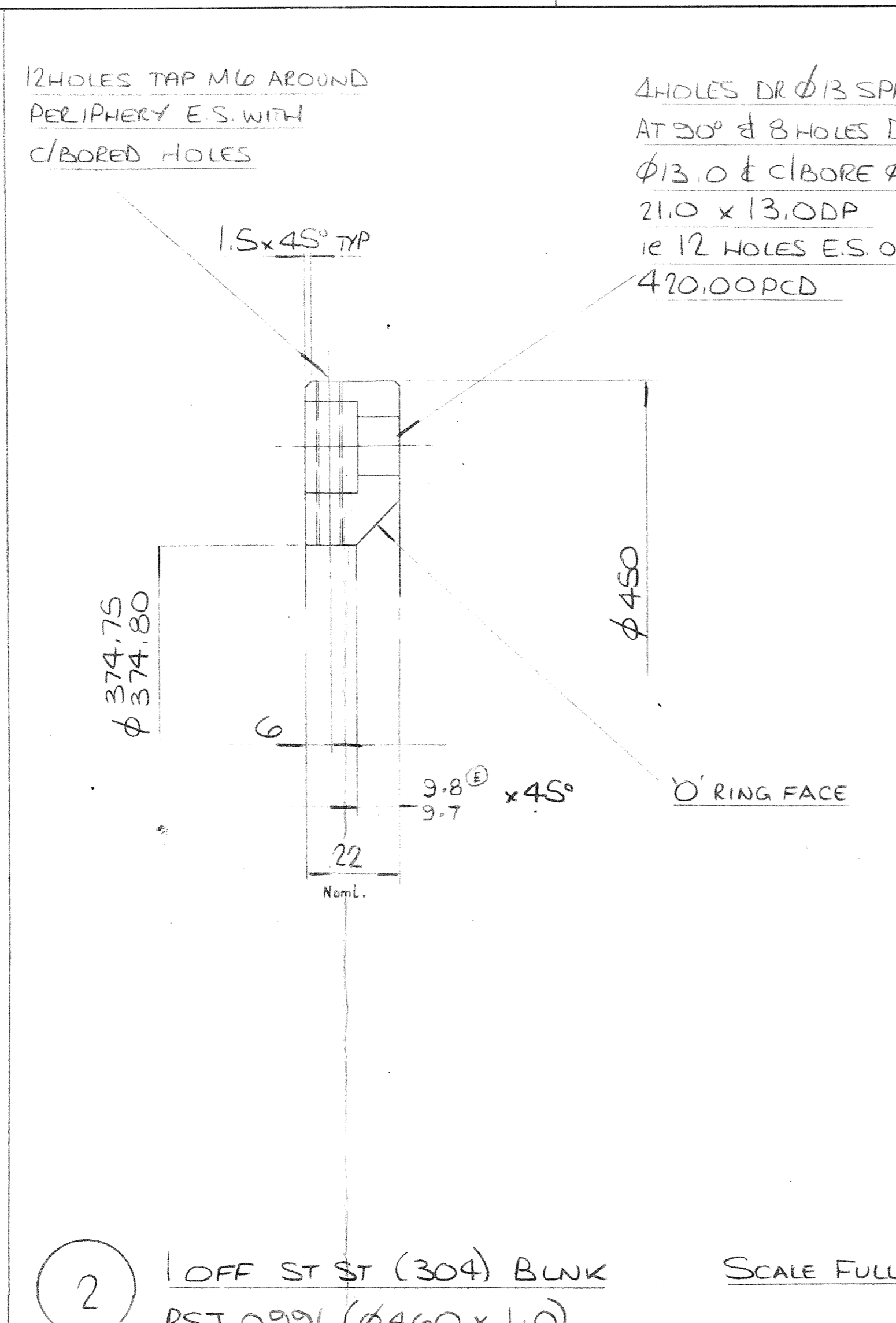
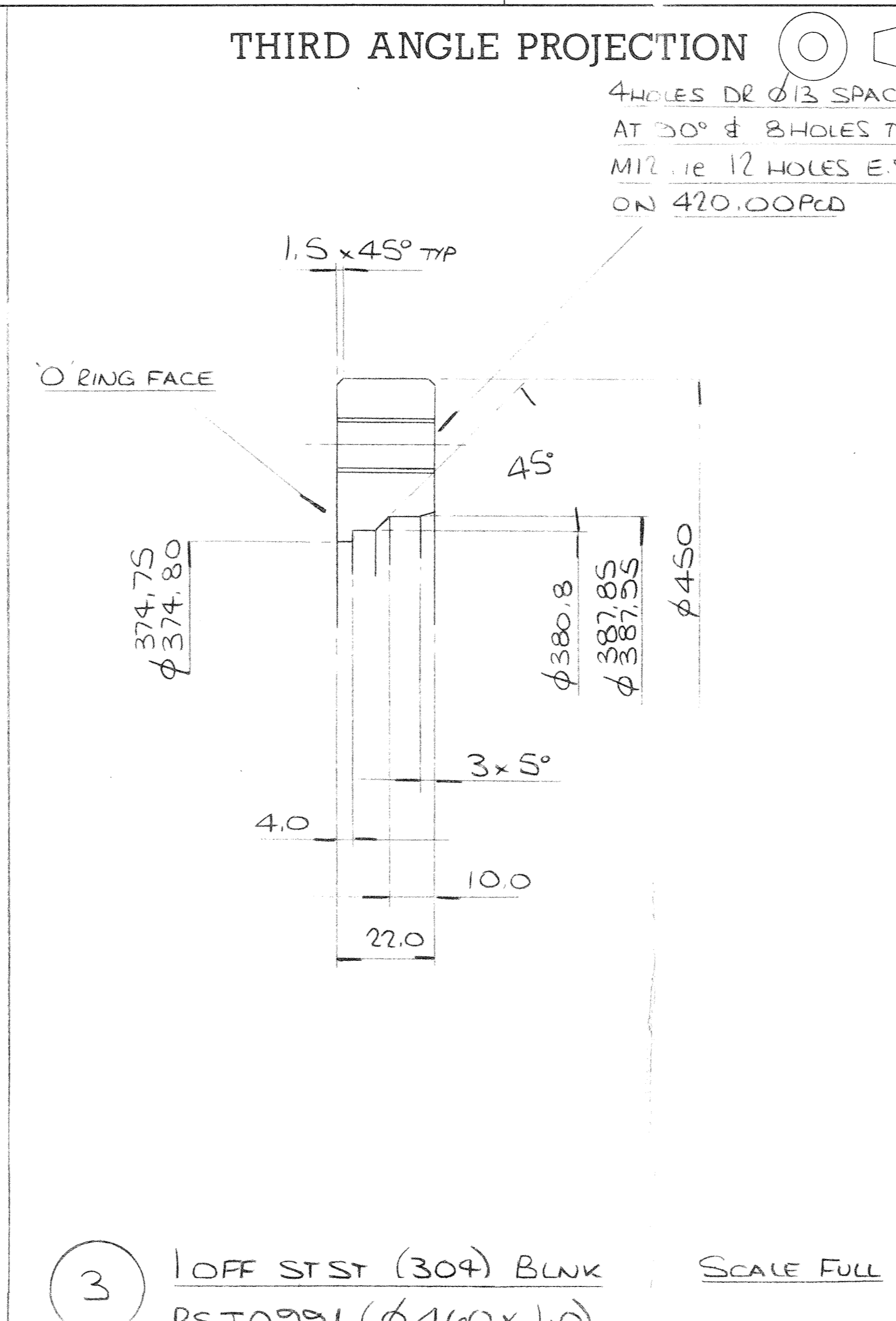


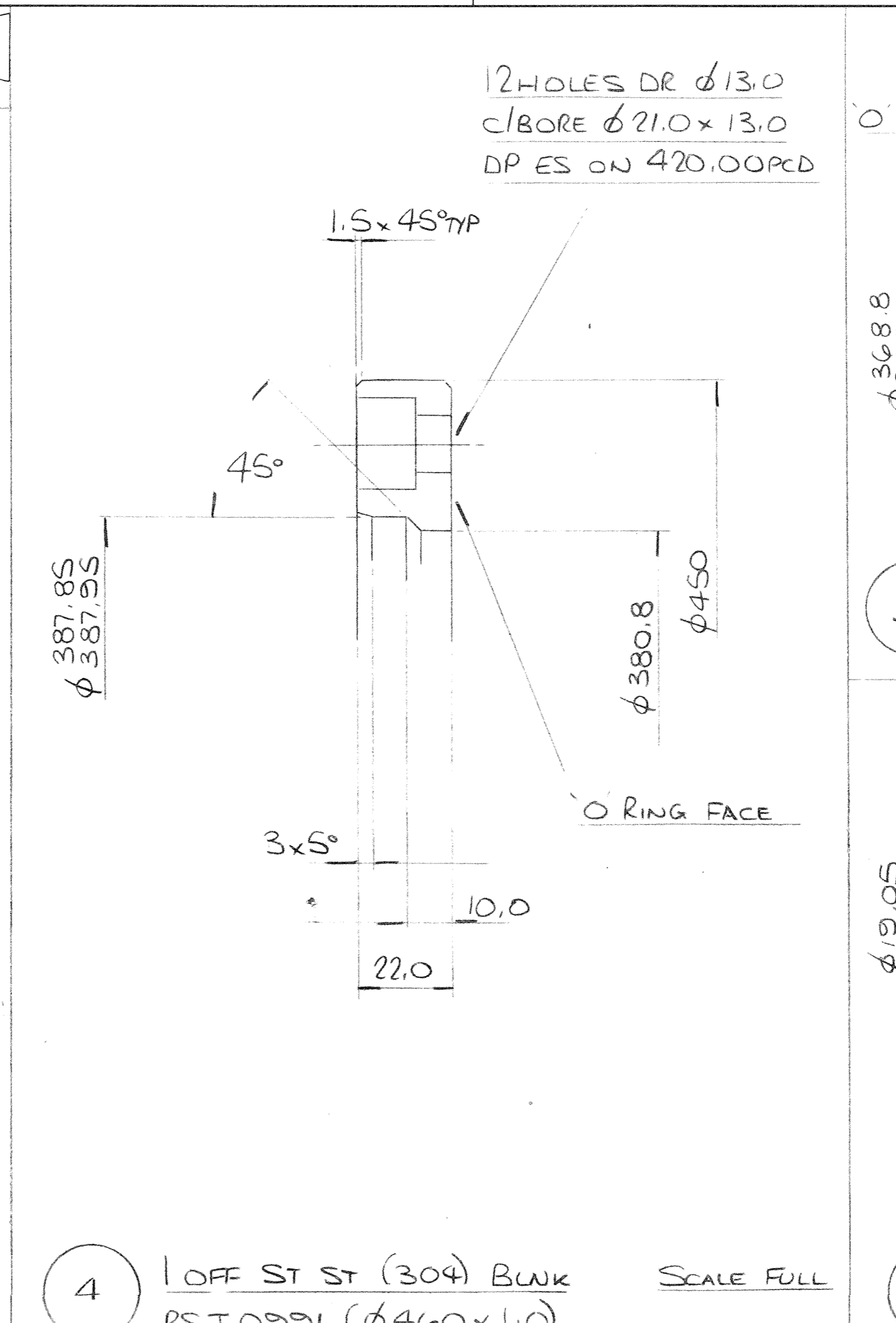
1 | 1 OFF ST ST (304) BLNK SCALE FULL RST0991 (ø460 x 1.0)



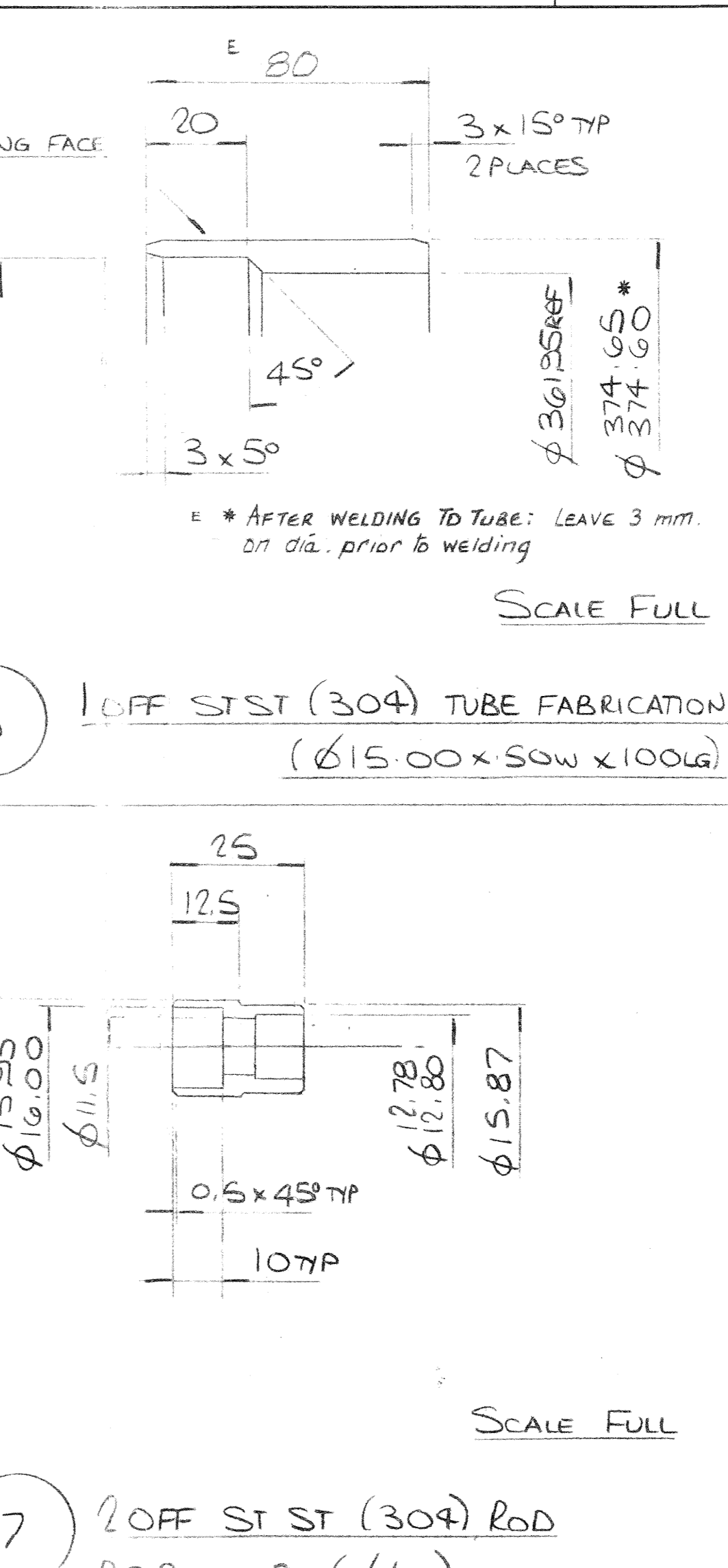
2 | 1 OFF ST ST (304) BLNK SCALE FULL RST0991 (ø460 x 1.0)



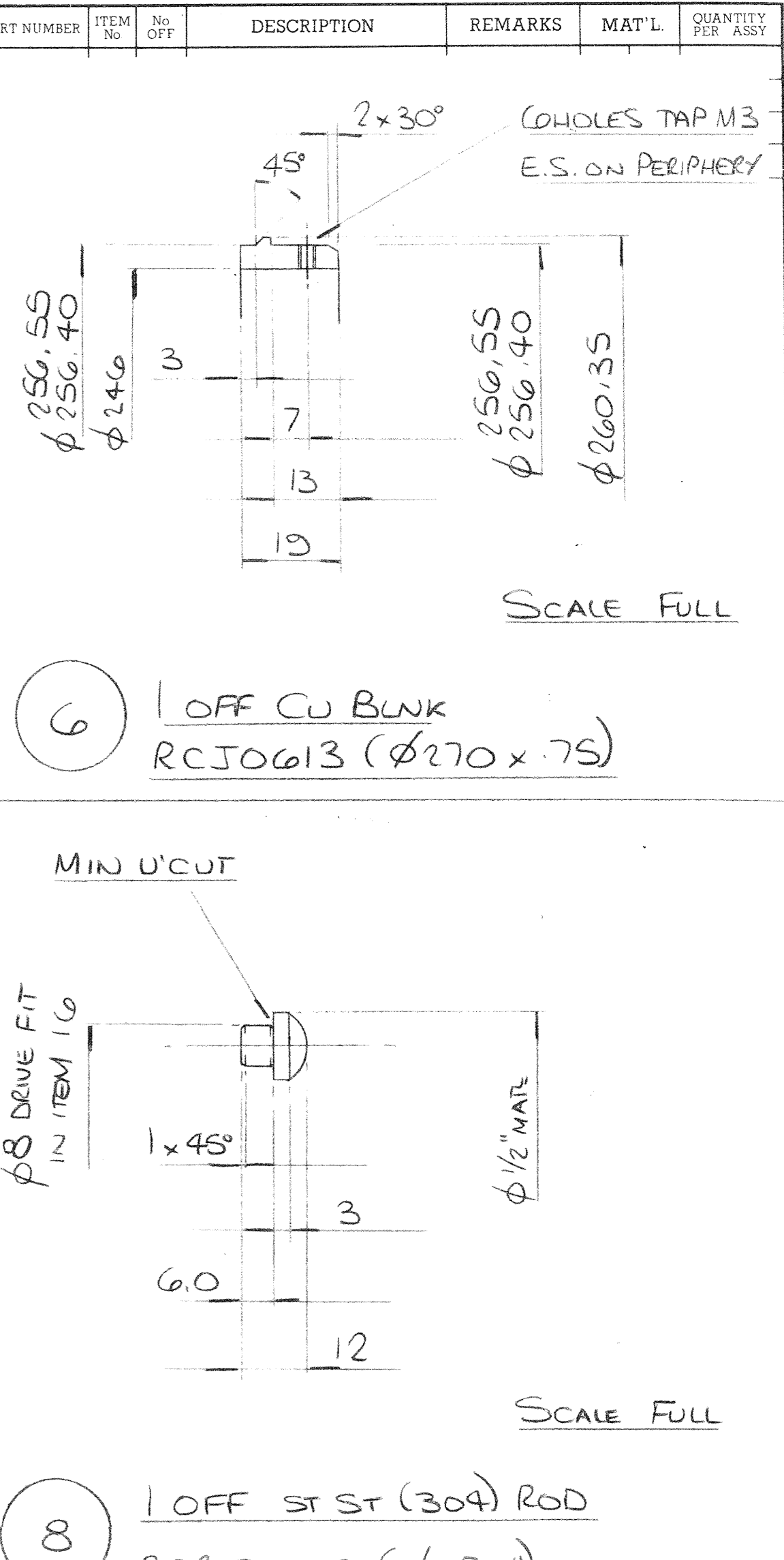
3 | 1 OFF ST ST (304) BLNK SCALE FULL RST0991 (ø460 x 1.0)



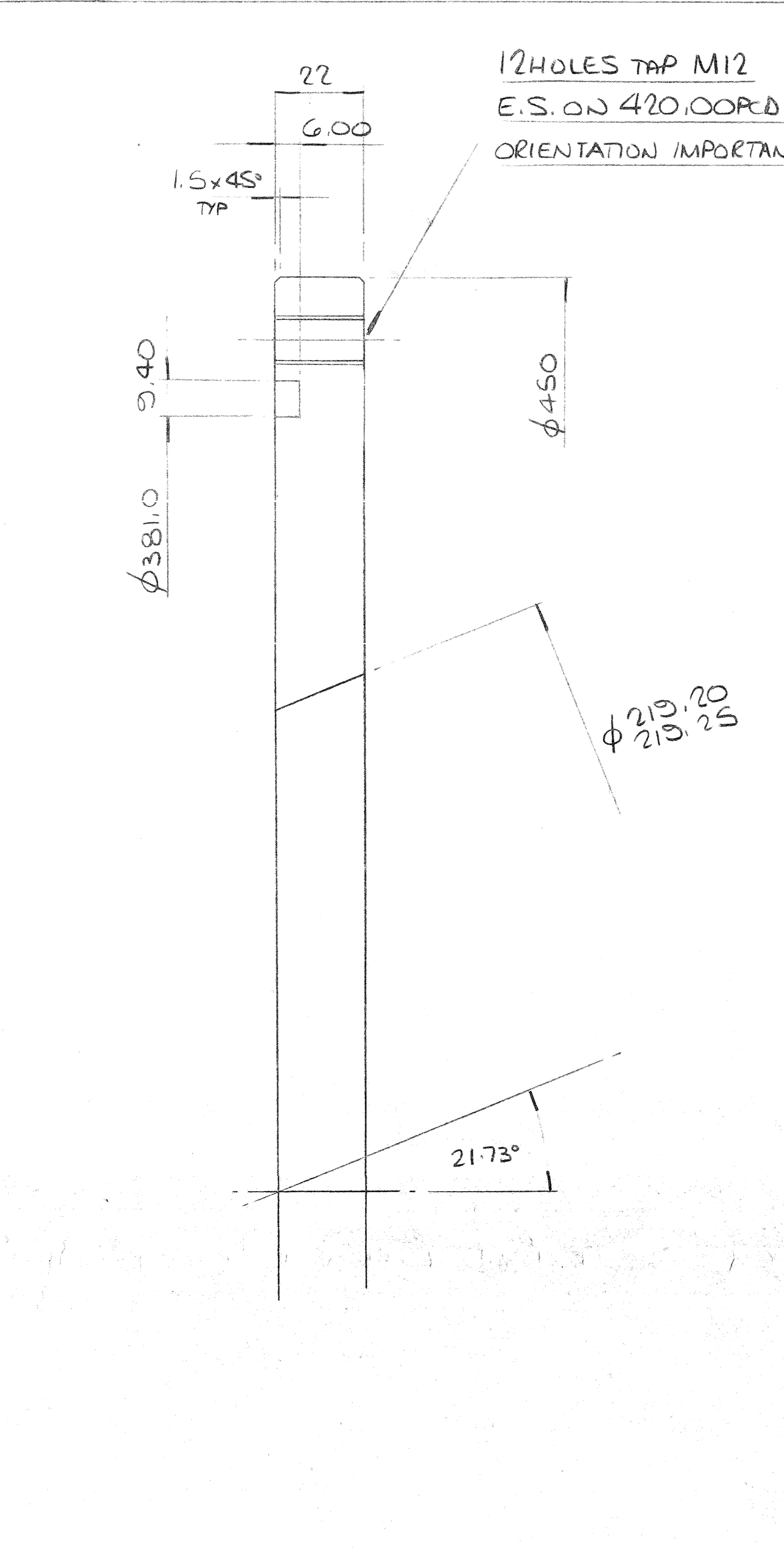
4 | 1 OFF ST ST (304) BLNK SCALE FULL RST0991 (ø460 x 1.0)



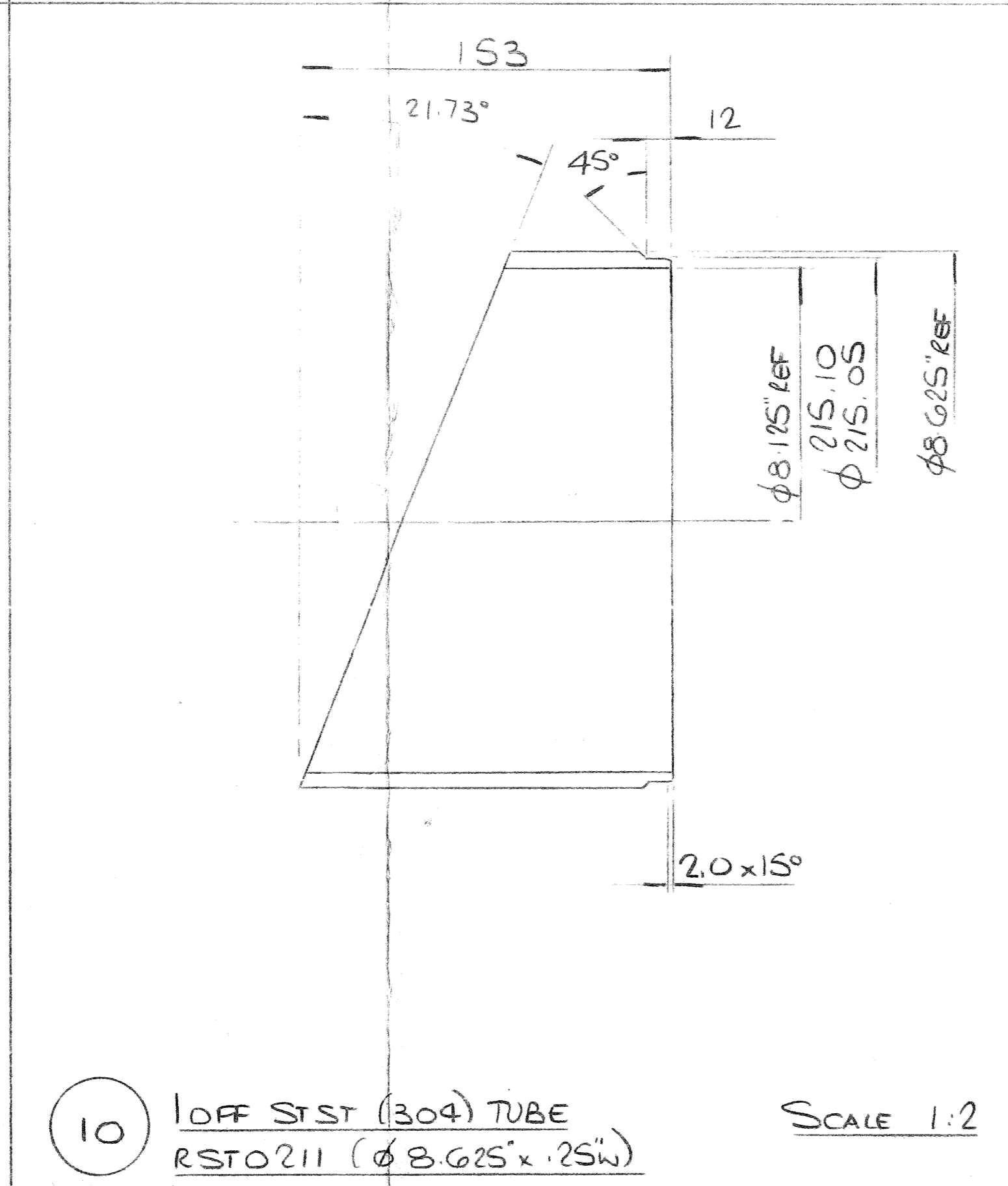
5 | 1 OFF ST ST (304) TUBE FABRICATION SCALE FULL (ø15.00 x 50w x 100L)



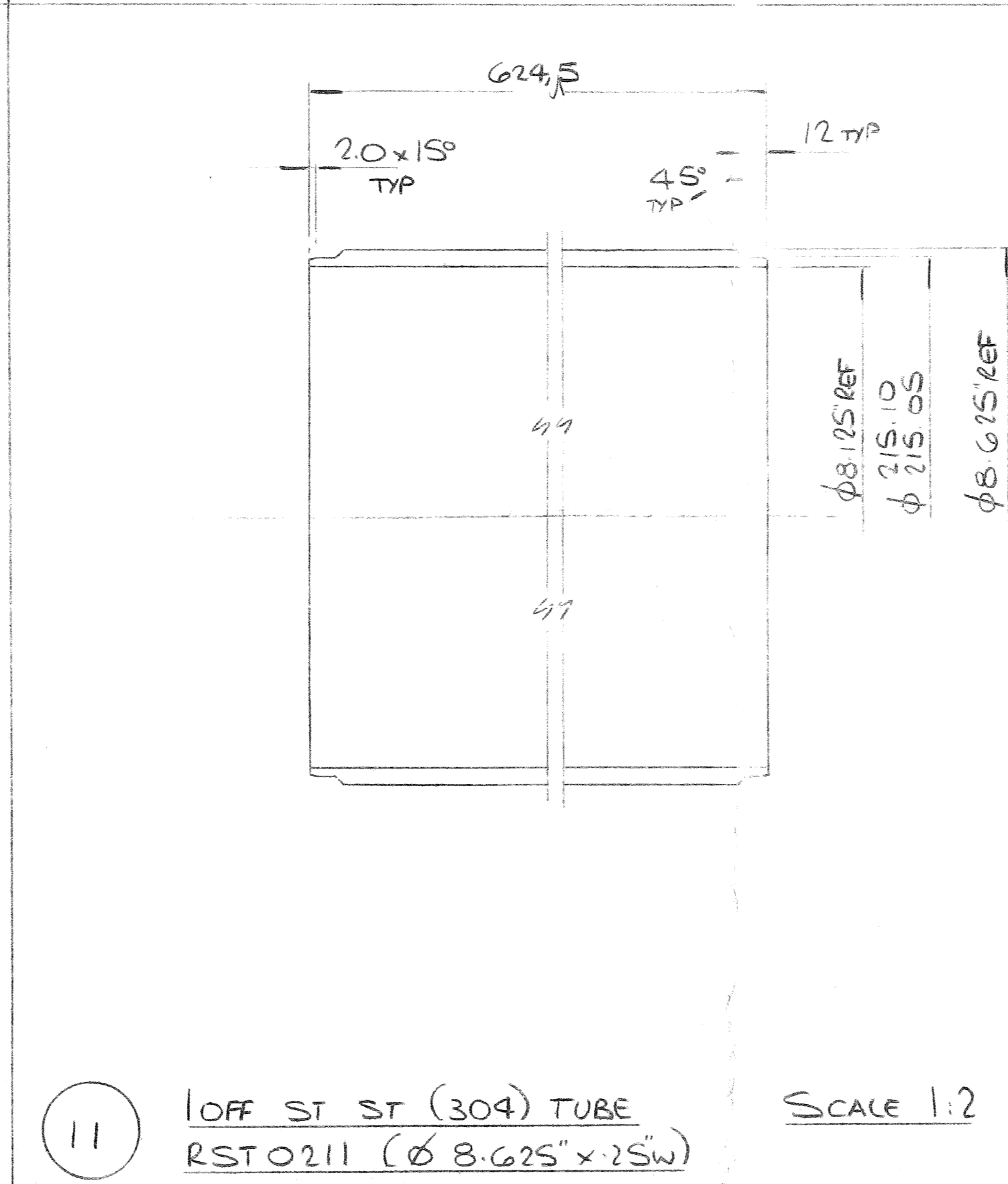
6 | 1 OFF CU BLNK SCALE FULL RCJ0013 (ø170 x 75)



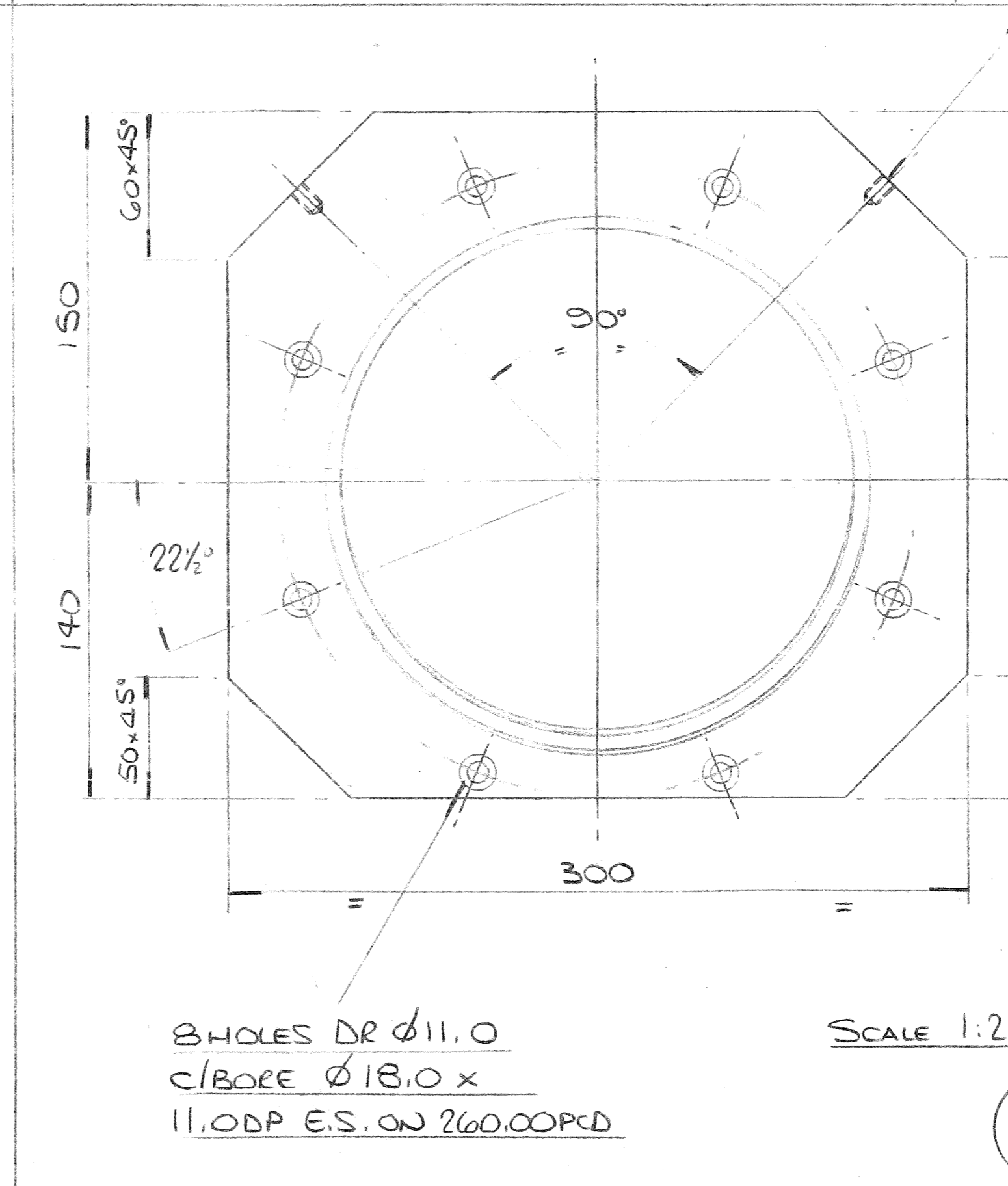
9 | 1 OFF ST ST (304) BLNK SCALE FULL RST0991 (ø460 x 1.0)



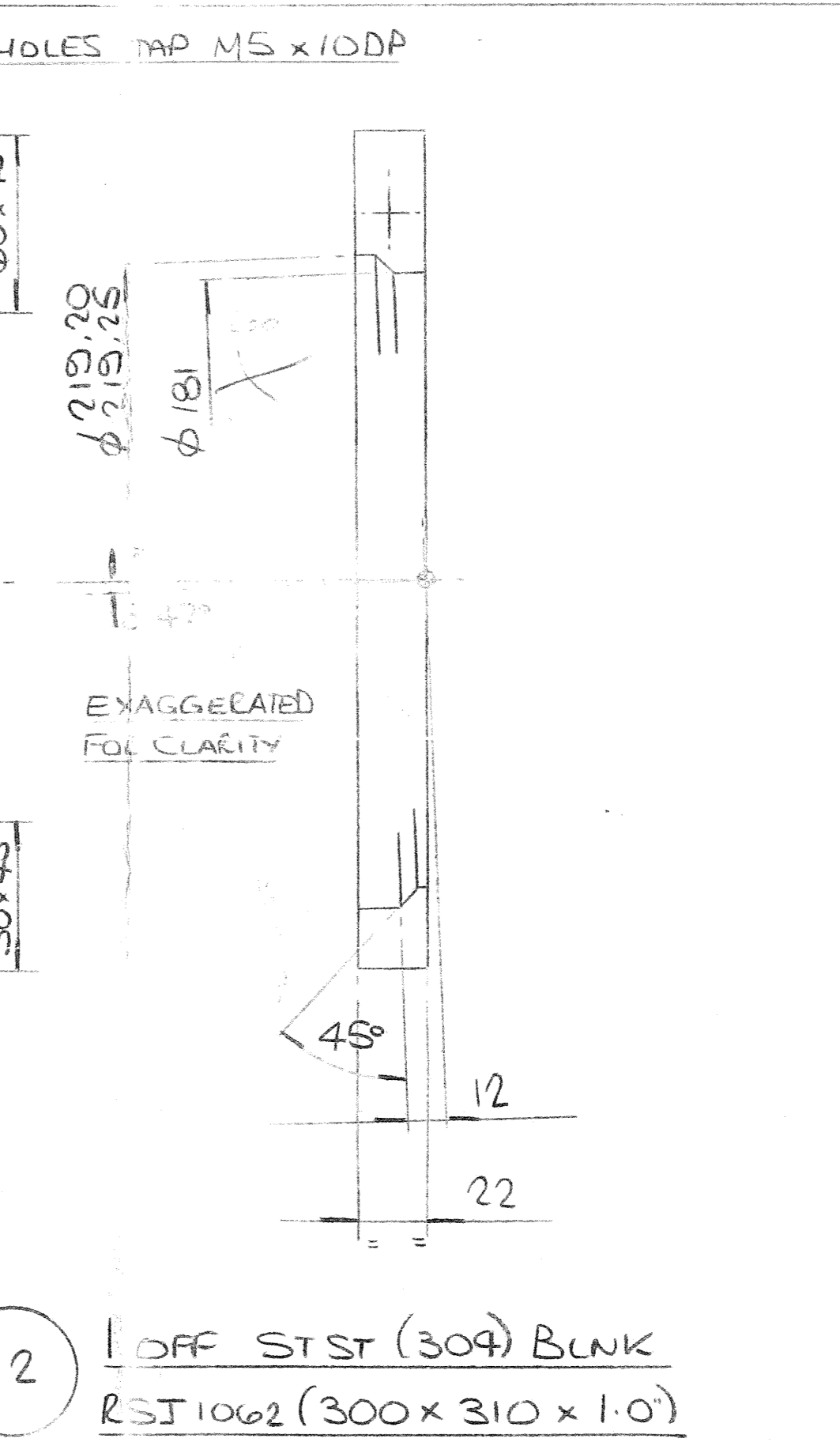
10 | 1 OFF ST ST (304) TUBE SCALE 1:2 RST0211 (ø8.625 x .25w)



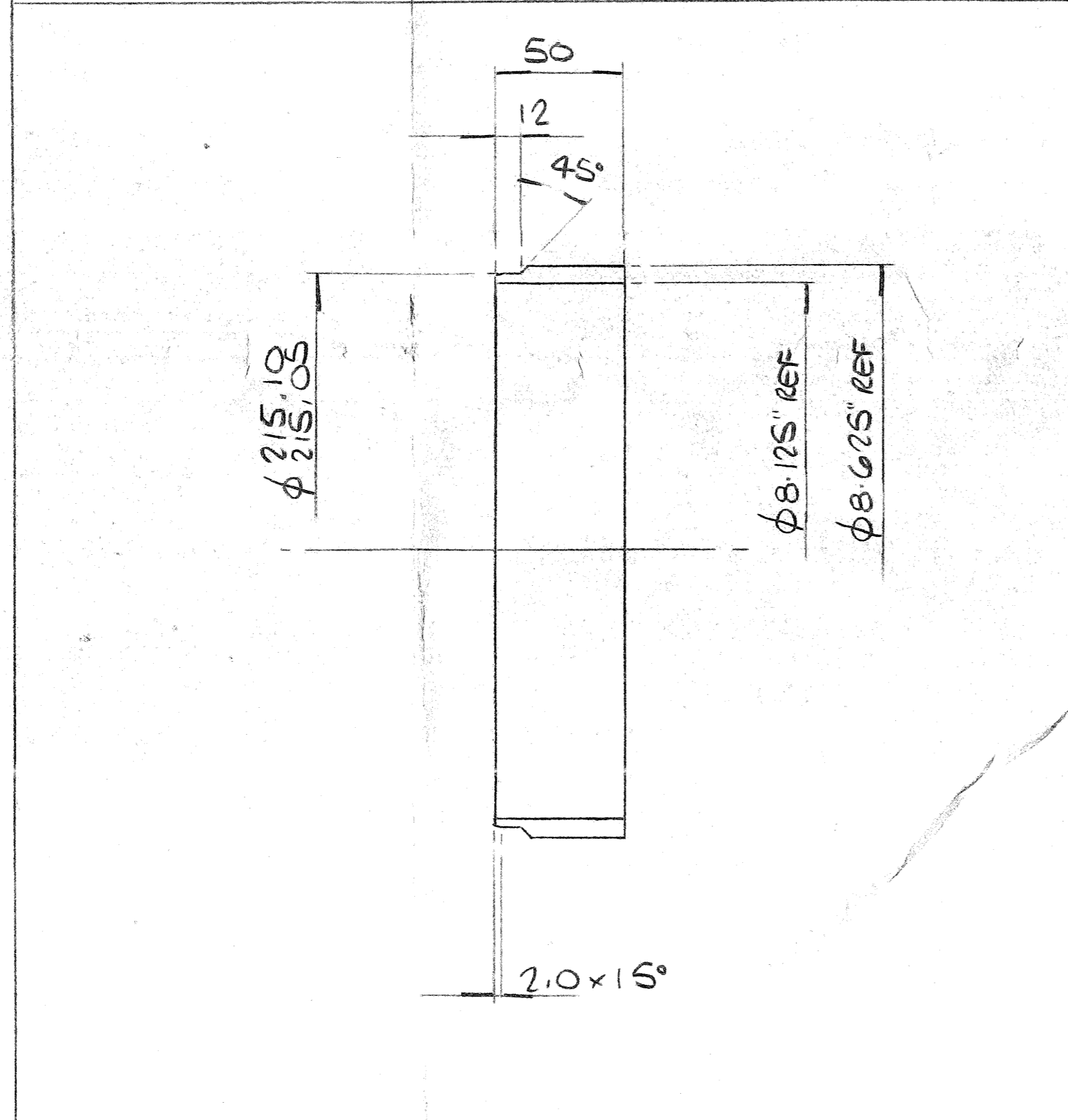
11 | 1 OFF ST ST (304) TUBE SCALE 1:2 RST0211 (ø8.625 x .25w)



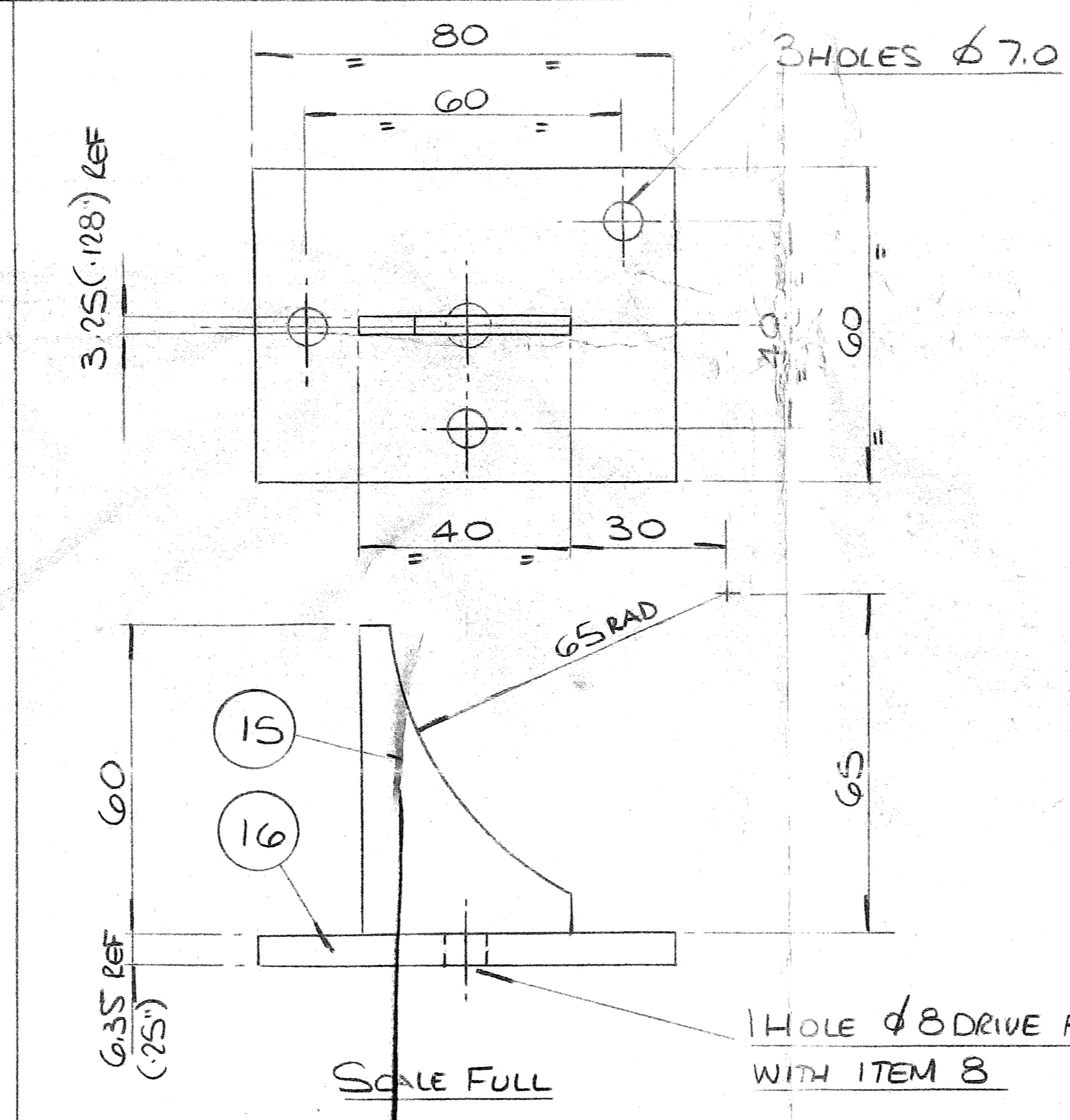
12 | 1 OFF ST ST (304) BLNK SCALE 1:2 RST1062 (300 x 310 x 1.0)



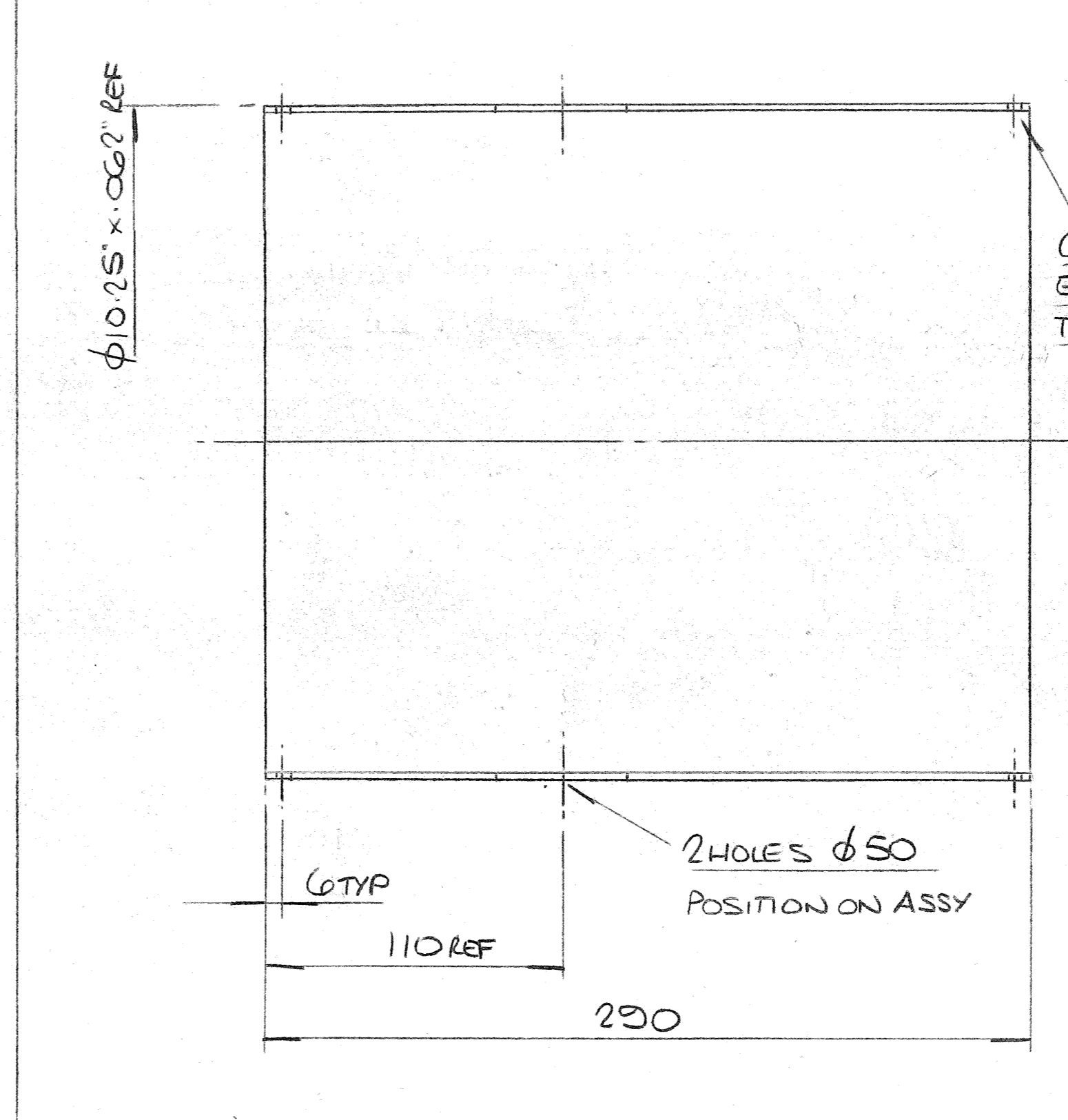
13 | 16 OFF TVFNOL SHT SCALE FULL NTS0005 (.062)



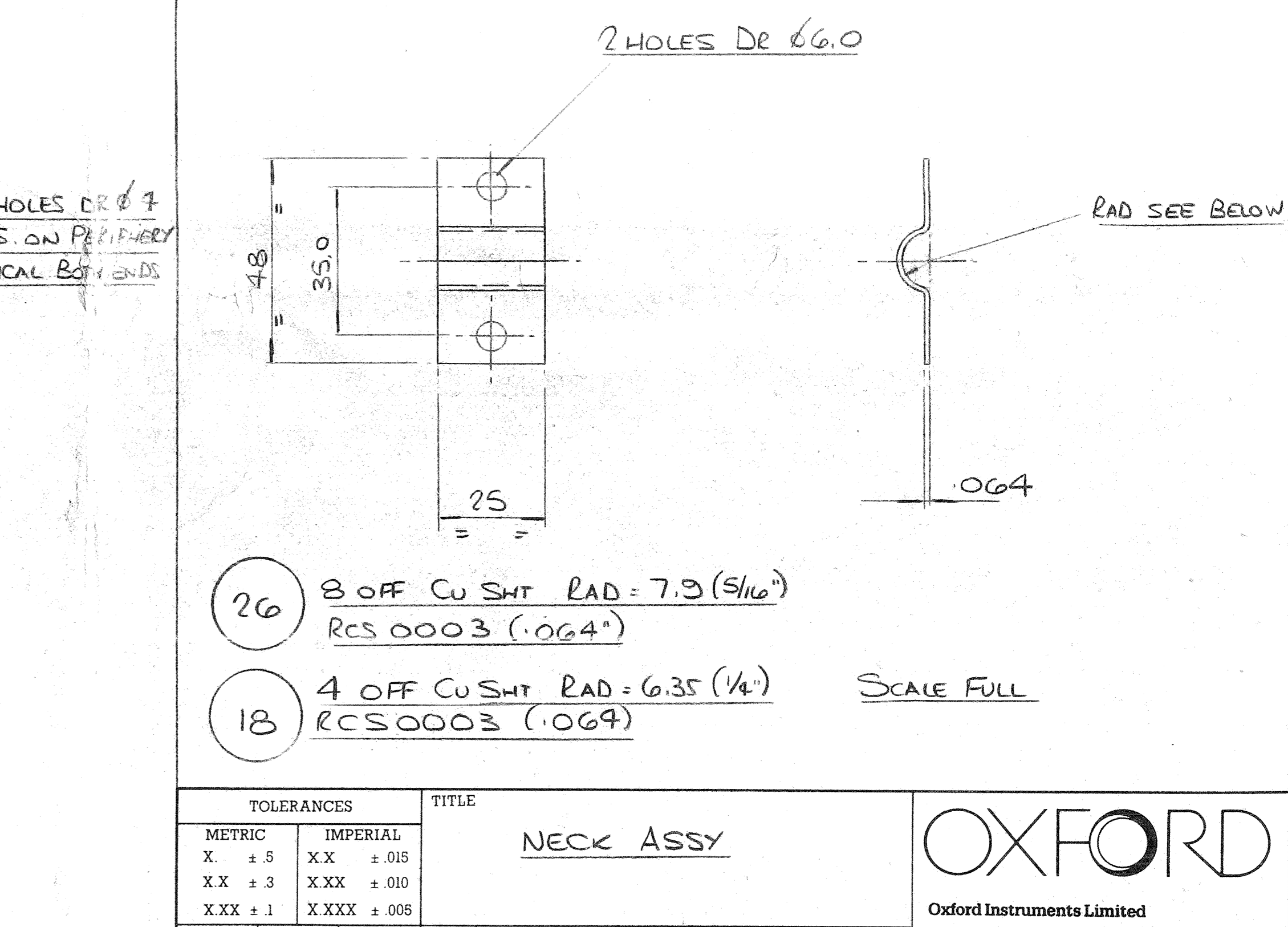
14 | 1 OFF ST ST (304) TUBE SCALE FULL RST0211 (ø8.625 x .25w)



15 | 1 OFF ST ST (304) PLATE SCALE FULL RSP0009 (128)



17 | 1 OFF CU TUBE SCALE FULL RCT0175 (ø10.25" x .064" x 290)



16 | 2 OFF CU SHT RAD=7.3 (5/16) SCALE FULL RCS0003 (.064)

Table with columns for ISSUE, DATE, CHANGE NO., and CHANGE NO. containing revision data.

OXFORD Osney Mead Oxford OX2 0DX England. DRAWING NUMBER AJE 0142 SHEET 3 OF 4. Includes title 'NECK ASSY' and various technical specifications.